

# ACCESS CONTROL WIRING



**ZKTeco**  
**PLANET INFOSYS**  
NATIONAL AUTHORISED DISTRIBUTOR

Prepared By

**Planet Infosys P.Ltd**

Chakupath-22 Lalitpur

Phone : 01-5261837 – 9801135103

# ZKTeco

**PLANET INFOSYS**  
NATIONAL AUTHORISED DISTRIBUTOR

आफ्नो घरमा २४ घण्टा सेवा दिने  
सुरक्षा गार्ड जडान गर्नुहोस्



विशेष छूट

ZKTeco

CCTV Camera



## DEALER WANTED

Call Us Now: 9801135103

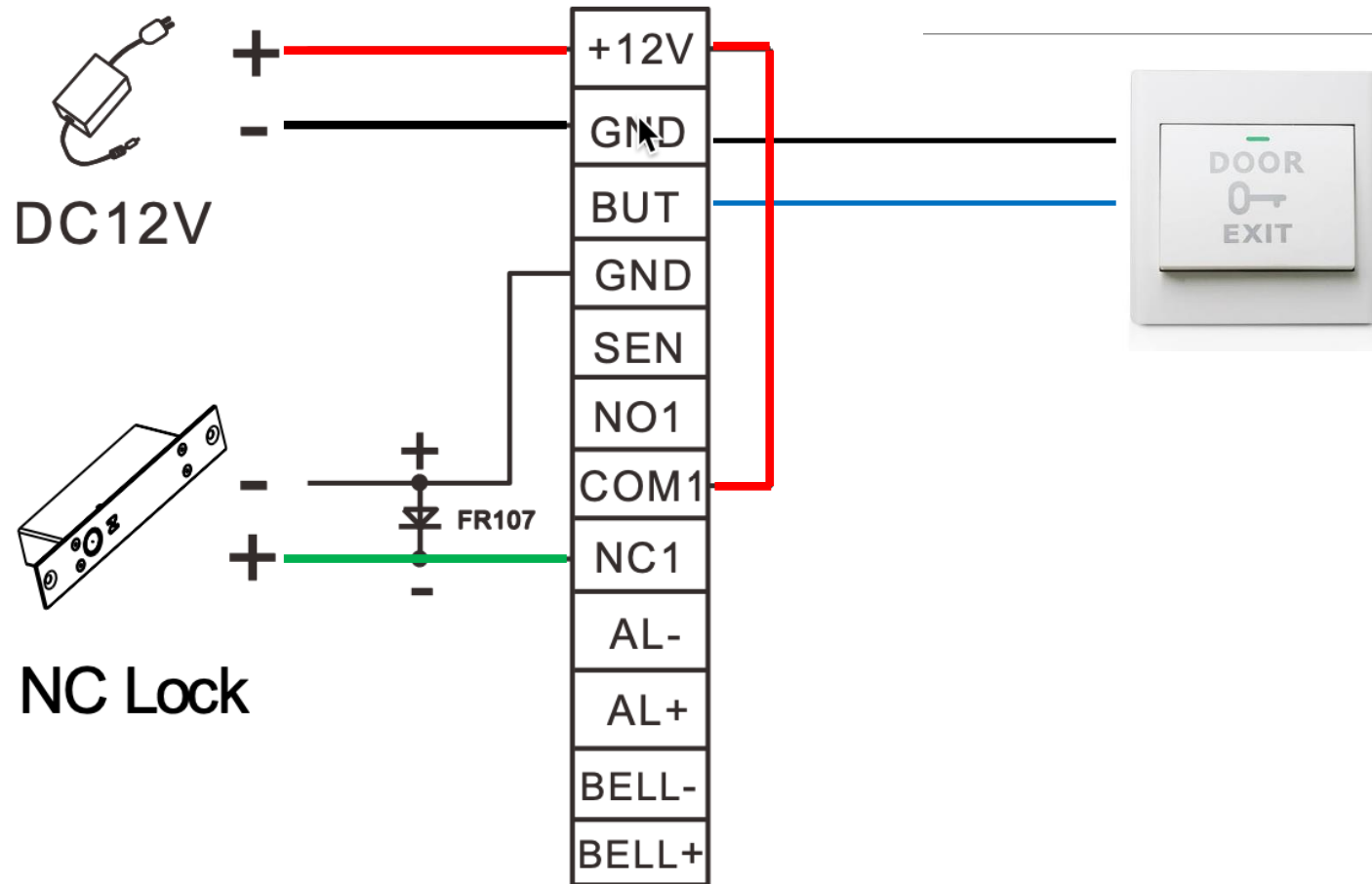
Zkteco Camera's



Planet Infosys  
Authorization Distributor

ZKTeco

# Diagram X7/x8/ F22/ F18 Common Adpator



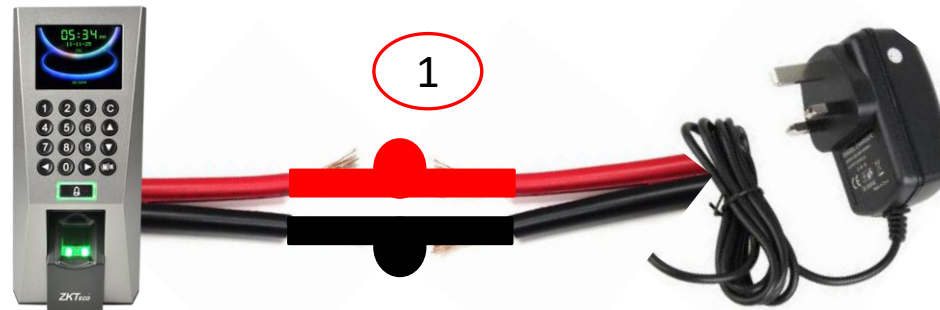
# 1<sup>ST</sup> STEP

## JOIN ADAPTOR 12 V 2 AMP

- Cut the Pin hole
- Join Adaptor's **+12V Red wire** to Access Control **+12V red wire**
- Join adaptor's – **GND black wire** to Access Control – **GND Wire**

Note:

[ Check there should be power on Machine ]



**ZKTeco**  
**PLANET INFOSYS**  
NATIONAL AUTHORISED DISTRIBUTOR

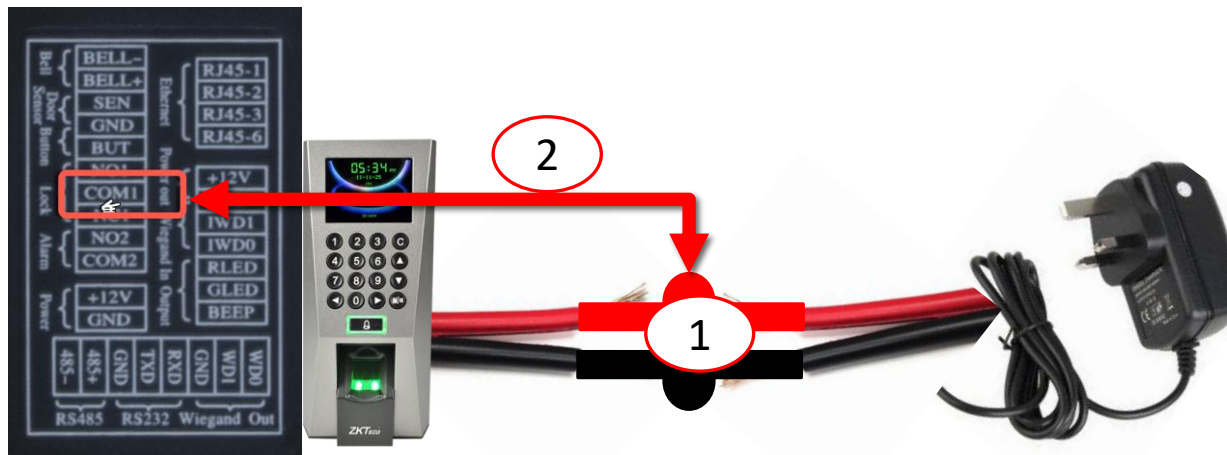
- ▶ Prepared by: Planet Infosys P.Ltd.  
[www.planetinfosys.com.np](http://www.planetinfosys.com.np)  
Phone: 015261837 / 9801135104

# 2<sup>ND</sup> STEP

## MAKING Adaptor common

- JOIN **+12V RED WIRE** TO **COM1** OF ACCESS CONTROL

{By joining this the power will be common no need to put extra adaptor for emlock}



**ZKTeco**  
**PLANET INFOSYS**  
NATIONAL AUTHORISED DISTRIBUTOR

- ▶ Prepared by: Planet Infosys P.Ltd.  
[www.planetinfosys.com.np](http://www.planetinfosys.com.np)  
Phone: 015261837 / 9801135104



# 3<sup>RD</sup> STEP

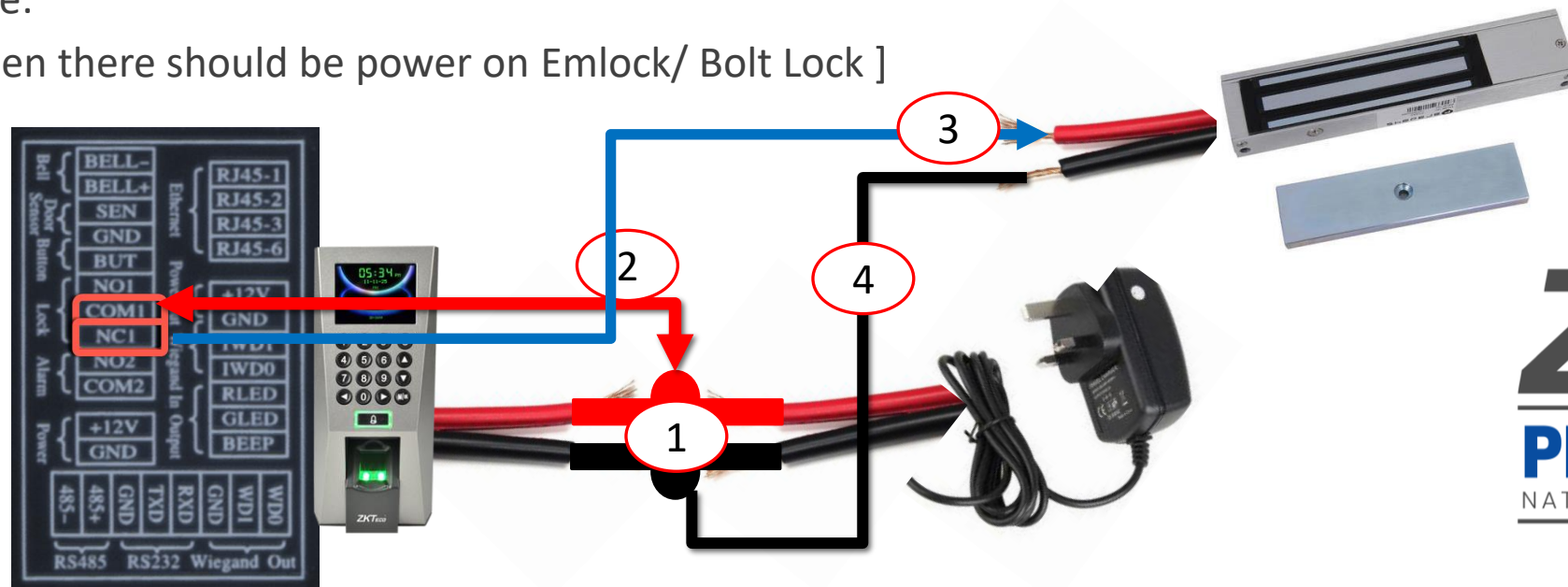
## CONNECTING WITH EMLOCK / BOLT LOCK

- Select the wire **NC** from access Control
- Connect **NC** to Emlock + **Red wire**
- Select **GND** from Access Control
- Connect **GND** to Emlock – **black wire**

► Prepared by: Planet Infosys P.Ltd.  
[www.planetinfosys.com.np](http://www.planetinfosys.com.np)  
Phone: 015261837 / 9801135104

Note:

[ Then there should be power on Emlock/ Bolt Lock ]



**ZKTeco**  
**PLANET INFOSYS**  
NATIONAL AUTHORISED DISTRIBUTOR



कर्मचारी टिला आएर हैरान हुनुन्छ ?

**Blocks Late In & Early out**  
Comes with Free Nepali Date Software



**ZKTeco**  
www.planetinfosys.com.np

समयमा अफिस आउने कर्मचारीहरूको  
उत्पादकता ज्यादा हुन्छ ।

**Planet Infosys**  
Authorized Distributor



**ZKTeco**



## X7 / X8S programming Language

Programming Code : \*#1234

---

New Users enroll : 1

Delete Users : 3

...

### **E.g. enrolling users :**

Press \*# 1234 { wait for few second, green light on }

Press 1 { wait for few second, green light on }

Press Finger { press sample finger 3 times, and green light on }

Press \* { for programming exit }

# X7 / X8 Users manual

## E.g. enrolling RFID Card :

---

Press \*# 1234 { wait for few second, green light on }

Press 1 { wait for few second, green light on }

Show Card. { Show RFID CARD, and green light on }

Press \* { for programming exit }